

Portable Vibration Meter

TM-2860

TM-2861

(TM-2861 : with frequency analyzer)



Portable vibration meter becomes easier to use !

Ideal for vibration measurement in various situations.

- Testing / Inspection
- Maintenance
- Accident prevention
- Trouble investigation

TM-2860

TM-2861(with frequency analyzer)

Special storage case



Parts list

1. Vibration Detector
2. Contact pin
3. Main body
4. 9V battery

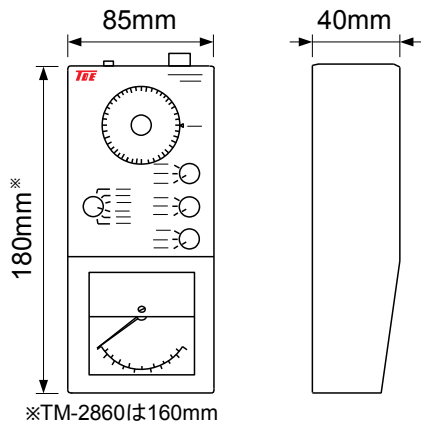
5. Special storage case
6. Output cable
7. Strap

characteristic

- easy to hold with a slim casing.
- Simple and easy to use.
- Acc, vel, disp measuring available.
- Frequency analysis available(TM-2861).

specification

	TM-2860	TM-2861
Frequency range	10~1,000Hz	
Range: Acceleration	0.1~100m/s ²	
Velocity	0.01~10cm/s	
Displacement	1~1,000μm ^{P-P}	
Output	2V ^{P-P} (At 100 kΩ load)	
Power source	9V battery 1pc.	
Main body dimensions	160(D)×85(W)×40(H)* [mm] <small>*Not include protrusions</small>	180(D)×85(W)×40(H)* [mm] <small>*Not include protrusions</small>
Main body weight	300g	340g
Detector dimensions, weight	Φ34×140 [mm] 250g	
Frequency characteristic	10~1,000Hz +5%~10%	
Meter error	2%	
Range switching error	1%	
Frequency analysis range		10~1,000Hz
Frequency dial error		±5% +0.5 scale
Allowable acceleration rate	100m/s ²	



* There is high frequency suitable charge type (~10kHz / TM-3842). Please contact us separately.

TDE 東京電業株式会社
TOKYO DENGYO ENGINEERING CO.,LTD.

Office/Factory 〒252-0175
 (1509001) 545-1, Wakayanagi, Sagamihara, Kanagawa, Japan
 TEL. 042-685-0360
 FAX. 042-685-0498
 E-mail. info@tokyo-dengyo.co.jp

